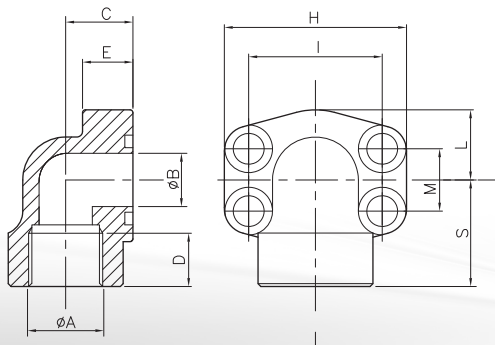


# F90FN...

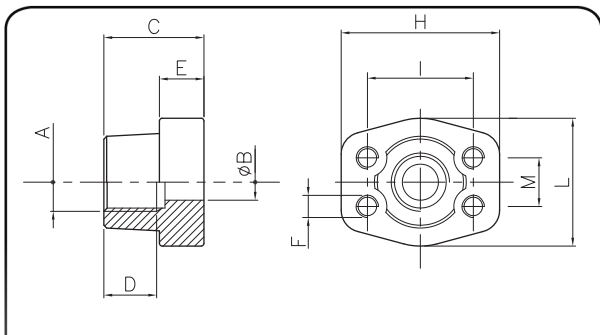
**FLANGIA A 90°  
FILETTATA NPT  
90° FRANGE  
WITH  
NPT THREAD**



SIGLA CODE	A S.A.E.	B	C	D	E	H	I	L	M	S	Viti Bolts	OR O-RING	Pressione max Max. pressure bar
<i>Serie 3000 psi</i>													
<b>F90FN038E3</b>	3/8" NPT	13	20	19	16	57	38,1	23	17,48	37	M8x30	4075	348
<b>F90FN012E3</b>	1/2" NPT	13	20	19	16	57	38,1	23	17,48	37	M8x30	4075	348
<b>F90FN034E3</b>	3/4" NPT	19	24	19	18	65	47,63	25	22,23	38	M10x35	4100	348
<b>F90FN001E3</b>	1" NPT	25	28	120	18	71	52,37	30	26,19	42,5	M10x35	4131	348
<b>F90FN114E3</b>	1" 1/4 NPT	32	34	22	21	81	58,72	35	30,18	51	M10x40	4150	278
<b>F90FN112E3</b>	1" 1/2 NPT	38	38	25	25	95	69,85	39	35,71	56	M12x45	4187	210
<b>F90FN002E3</b>	2" NPT	51	42	28	25	102	77,77	47,5	42,88	65	M12x45	4225	210
<i>Serie 6000 psi</i>													
<b>F90FN038E6</b>	3/8" NPT	13	20	19	16	57	40,49	23	18,24	37	M8x30	4075	420
<b>F90FN012E6</b>	1/2" NPT	13	20	19	16	57	40,49	23	18,24	37	M8x30	4075	420
<b>F90FN034E6</b>	3/4" NPT	19	28	20	19	71	50,8	30	23,8	42,5	M10x35	4100	420
<b>F90FN001E6</b>	1" NPT	25	34	22	21	81	57,15	35	27,76	52,5	M12x45	4131	420
<b>F90FN114E6</b>	1" 1/4 NPT	32	38	25	25	95	66,68	39	31,75	56	M14x45	4150	420
<b>F90FN112E6</b>	1" 1/2 NPT	38	42	28	28	112	79,38	47,5	36,5	63	M16x50	4187	420

# CFFN...

**CONTROFLANGIA  
FILETTATA NPT  
NPT  
THREADED  
COUNTER-FLANGE**



SIGLA CODE	A S.A.E.	B	C	D	E	F	H	I	L	M	Pressione max Max. pressure bar
<i>Serie 3000 psi</i>											
<b>CFFN038E3</b>	3/8" NPT	13	36	19	16	M8	57	38,1	46	17,48	348
<b>CFFN012E3</b>	1/2" NPT	13	36	19	16	M8	57	38,1	46	17,48	348
<b>CFFN034E3</b>	3/4" NPT	19	36	19	18	M10	65	47,63	50	22,23	348
<b>CFFN001E3</b>	1" NPT	25	38	22	18	M10	71	52,37	60	26,19	348
<b>CFFN114E3</b>	1" 1/4 NPT	32	41	22	21	M10	81	58,72	70	30,18	278
<b>CFFN112E3</b>	1" 1/2 NPT	38	45	24	25	M12	95	69,85	78	35,71	210
<b>CFFN002E3</b>	2" NPT	51	45	24	25	M12	102	77,77	95	42,88	210
<i>Serie 6000 psi</i>											
<b>CFFN038E6</b>	3/8" NPT	13	36	19	16	M8	57	40,49	46	18,24	420
<b>CFFN012E6</b>	1/2" NPT	13	36	19	16	M8	57	40,49	46	18,24	420
<b>CFFN034E6</b>	3/4" NPT	19	35	18	18	M10	71	50,8	60	23,8	420
<b>CFFN001E6</b>	1" NPT	25	42	22	25	M12	81	57,15	70	27,76	420
<b>CFFN114E6</b>	1" 1/4 NPT	32	45	23	27	M14	95	66,68	78	31,75	420
<b>CFFN112E6</b>	1" 1/2 NPT	38	50	24	30	M16	112	79,38	95	36,5	420
<b>CFFN002E6</b>	2" NPT	51	65	30	37	M20	134	96,82	114	44,45	420