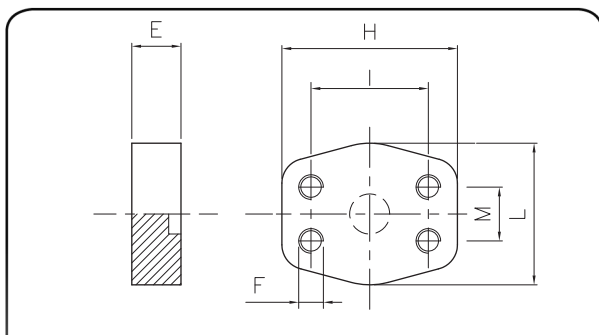


FC...

**FLANGIA
CIECA
CLOSED
FLANGE**

SIGLA CODE	S.A.E.	C	E	H	I	L	M	Viti Bolts	OR O-RING	Pressione max Max. pressure bar
<i>Serie 3000 psi</i>										
FC012E3	1/2"	13	16	57	38,1	46	17,48	M8x30	4075	348
FC034E3	3/4"	19	16	65	47,63	50	22,23	M10x35	4100	348
FC001E3	1"	25	19	71	52,37	60	26,19	M10x35	4131	348
FC114E3	1" 1/4	32	18	81	58,72	70	30,18	M10x40	4150	278
FC112E3	1" 1/2	38	20	95	69,85	78	35,71	M12x45	4187	210
FC002E3	2"	51	20	102	77,77	95	42,88	M12x45	4225	210
<i>Serie 6000 psi</i>										
FC012E6	1/2"	13	16	57	40,49	46	18,24	M8x30	4075	420
FC034E6	3/4"	19	18	71	50,8	60	23,8	M10x35	4100	420
FC001E6	1"	25	24	81	57,15	70	27,76	M12x45	4131	420
FC114E6	1" 1/4	32	27	95	66,68	78	31,75	M14x50	4150	420
FC112E6	1" 1/2	38	30	112	79,38	95	36,5	M16x55	4187	420
FC002E6	2"	51	30	134	96,82	114	44,45	M20x65	4225	420



CFC...

**CONTROFLANGIA
CIECA
CLOSED
COUNTER-FLANGE**

SIGLA CODE	S.A.E.	E	F	H	I	L	M	Pressione max Max. pressure bar
<i>Serie 3000 psi</i>								
CFC012E3	1/2"	16	M8	57	38,10	46	17,48	348
CFC034E3	3/4"	16	M10	65	47,63	50	22,23	348
CFC001E3	1"	19	M10	71	52,37	60	26,19	348
CFC114E3	1" 1/4	18	M10	81	58,72	70	30,18	278
CFC112E3	1" 1/2	20	M12	95	69,85	78	35,71	210
CFC002E3	2"	20	M12	102	77,77	95	42,88	210
<i>Serie 6000 psi</i>								
CFC012E6	1/2"	16	M8	57	40,49	46	18,24	420
CFC034E6	3/4"	18	M10	71	50,80	60	23,80	420
CFC001E6	1"	24	M12	81	57,15	70	27,76	420
CFC114E6	1" 1/4	27	M14	95	66,68	78	31,75	420
CFC112E6	1" 1/2	30	M16	112	79,38	95	36,50	420
CFC002E6	2"	30	M20	134	96,82	114	44,45	420