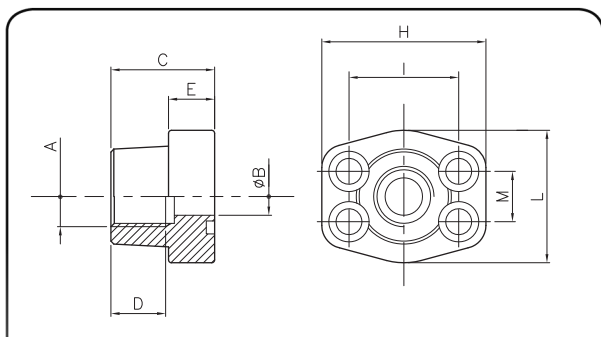


FFMADIN...

**FLANGIA FILETTATA
METRICA CON
ATTACCO DIN 3901-3902
DIN 3901-3902
METRIC
THREADED FLANGE**

SIGLA CODE	S.A.E.	A	B	C	D	E	H	I	L	M	S	Viti Bolts	OR O-RING	Pressione max Max. pressure bar
Serie 3000 psi														
FFMADIN22E3	1/2"	M22x1,5	12	52	7	13	57	38,1	46	17,48	15	M8x30	4075	348
FFMADIN30E3	3/4"	M30x2	19	60	7,5	14	65	47,63	50	22,23	22	M10x30	4100	348
FFMADIN36E3	1"	M36x2	24	63	7,5	16	71	52,37	60	26,19	28	M10x35	4131	348
FFMADIN45E3	1" 1/4	M45x2	29	65	10,5	14	81	58,72	70	30,18	35	M10x35	4150	278
FFMADIN52E3	1" 1/2	M52x2	36	70	13,5	16	95	69,85	78	35,71	42	M12x35	4187	210
Serie 6000 psi														
FFMADIN24E6	1/2"	M24x1,5	12	60	8,5	16	57	40,49	46	18,24	16	M8x30	4075	420
FFMADIN36E6	3/4"	M36x2	19	73	12	19	71	50,8	60	23,8	25	M10x40	4100	420
FFMADIN42E6	1"	M42x2	25	82	13	24	81	57,15	70	27,76	30	M12x45	4131	420
FFMADIN45E6	1" 1/4	M52x2	29	92	15	27	95	66,68	78	31,75	36	M14x45	4150	420
FFMADIN52E6	1" 1/2	M52x2	32	96	17,5	30	112	79,38	95	36,5	38	M16x50	4187	420



FFN...

**FLANGIA
FILETTATA NPT
NPT
THREADED
FLANGE**

SIGLA CODE	A S.A.E.	B	C	D	E	H	I	L	M	Viti Bolts	OR O-RING	Pressione max Max. pressure bar
Serie 3000 psi												
FFN038E3	3/8"	13	36	19	16	57	38,1	46	17,48	M8x30	4075	348
FFN012E3	1/2"	13	36	19	16	57	38,1	46	17,48	M8x30	4075	348
FFN034E3	3/4"	19	36	19	18	65	47,63	50	22,23	M10x35	4100	348
FFN001E3	1"	25	38	22	18	71	52,37	60	26,19	M10x35	4131	348
FFN114E3	1" 1/4	32	41	22	21	81	58,72	70	30,18	M10x40	4150	278
FFN112E3	1" 1/2	38	45	24	25	95	69,85	78	35,71	M12x45	4187	210
FFN002E3	2"	51	45	24	25	102	77,77	95	42,88	M12x45	4225	210
Serie 6000 psi												
FFN038E6	3/8"	13	36	19	16	57	40,49	46	18,24	M8x30	4075	420
FFN012E6	1/2"	13	36	19	16	57	40,49	46	18,24	M8x30	4075	420
FFN034E6	3/4"	19	35	18	18	71	50,8	60	23,8	M10x35	4100	420
FFN001E6	1"	25	42	22	25	81	57,15	70	27,76	M12x45	4131	420
FFN114E6	1" 1/4	32	45	23	27	95	66,68	78	31,75	M14x50	4150	420
FFN112E6	1" 1/2	38	50	24	30	112	79,38	95	36,5	M16x55	4187	420
FFN002E6	2"	51	65	30	37	134	96,82	114	44,45	M20x70	4225	420