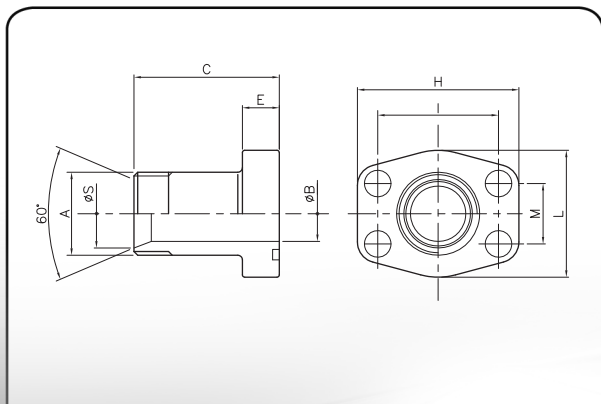
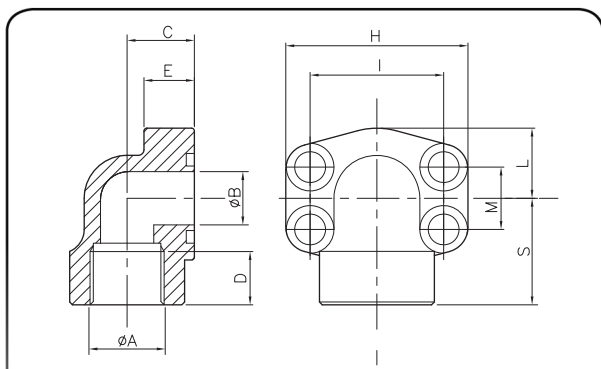


# FTC60FG...

**FLANGIA  
A TENUTA CONICA  
A 60° FILETTATA GAS  
FLANGE WITH 60°  
TAPERED SEAT  
AND BSP THREAD**



SIGLA CODE	A S.A.E.	B	C	E	H	Filetto Thread	I	L	M	S	OR O-RING	Pressione max Max. pressure bar
<i>Serie 3000 psi</i>												
<b>FTC60FG038E3</b>	3/8"	8,5	52	13	57	M8x30	38,1	46	17,48	14	4075	348
<b>FTC60FG012E3</b>	1/2"	11,5	52	13	57	M8x30	38,1	46	17,48	17,5	4075	348
<b>FTC60FG034E3</b>	3/4"	17	60	14	65	M10x35	47,63	50	22,23	22,9	4100	348
<b>FTC60FG001E3</b>	1"	22	63	16	71	M10x35	52,37	60	26,19	28,7	4131	348
<b>FTC60FG114E3</b>	1" 1/4	28,5	65	14	81	M10x35	58,72	70	30,18	36,8	4150	278
<b>FTC60FG112E3</b>	1" 1/2	34	70	16	95	M12x35	69,85	78	35,71	42,7	4187	210
<i>Serie 6000 psi</i>												
<b>FTC60FG038E6</b>	3/8"	8,5	60	16	57	M8x30	40,49	46	18,24	14	4075	420
<b>FTC60FG012E6</b>	1/2"	11,5	60	16	57	M8x30	40,49	46	18,24	17,5	4075	420
<b>FTC60FG034E6</b>	3/4"	17	73	19	71	M10x40	50,8	60	23,8	22,9	4100	420
<b>FTC60FG001E6</b>	1"	22	82	24	81	M12x45	57,15	70	27,76	28,7	4131	420
<b>FTC60FG114E6</b>	1" 1/4	28,5	92	27	95	M14x45	66,68	78	31,75	36,8	4150	420
<b>FTC60FG112E6</b>	1" 1/2	34	96	30	112	M16x50	79,38	95	36,5	42,7	4187	420



# F90FG...

**FLANGIA A 90°  
FILETTATA GAS  
90° FLANGE  
WITH  
BSP THREAD**

SIGLA CODE	A S.A.E.	B	C	D	E	H	I	L	M	S	Viti Bolts	OR O-RING	Pressione max Max. pressure bar
<i>Serie 3000 psi</i>													
<b>F90FG038E3</b>	3/8"	13	20	19	16	57	38,1	23	17,48	37	M8x30	4075	348
<b>F90FG012E3</b>	1/2"	13	20	19	16	57	38,1	23	17,48	37	M8x30	4075	348
<b>F90FG034E3</b>	3/4"	19	24	19	18	65	47,63	25	22,23	38	M10x35	4100	348
<b>F90FG001E3</b>	1"	25	28	20	18	71	52,37	30	26,19	42,5	M10x35	4131	348
<b>F90FG114E3</b>	1" 1/4	32	33,86	22	21	81	58,72	35	30,18	51	M10x40	4150	278
<b>F90FG112E3</b>	1" 1/2	38	38	25	25	95	69,85	39	35,71	56	M12x45	4187	210
<b>F90FG002E3</b>	2"	51	42	28	25	102	77,77	47,5	42,88	65	M12x45	4225	210
<i>Serie 6000 psi</i>													
<b>F90FG038E6</b>	3/8"	13	20	19	16	57	40,49	23	18,24	37	M8x30	4075	420
<b>F90FG012E6</b>	1/2"	13	20	19	16	57	40,49	23	18,24	37	M8x30	4075	420
<b>F90FG034E6</b>	3/4"	19	28	20	19	71	50,8	30	23,8	42,5	M10x35	4100	420
<b>F90FG001E6</b>	1"	25	34	22	21	81	57,15	35	27,76	52,5	M12x45	4131	420
<b>F90FG114E6</b>	1" 1/4	32	38	25	25	95	66,68	39	31,75	56	M14x45	4150	420
<b>F90FG112E6</b>	1" 1/2	38	42	28	28	112	79,38	47,5	36,5	63	M16x50	4187	420